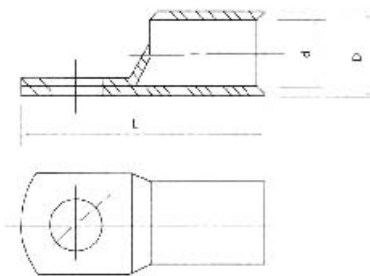
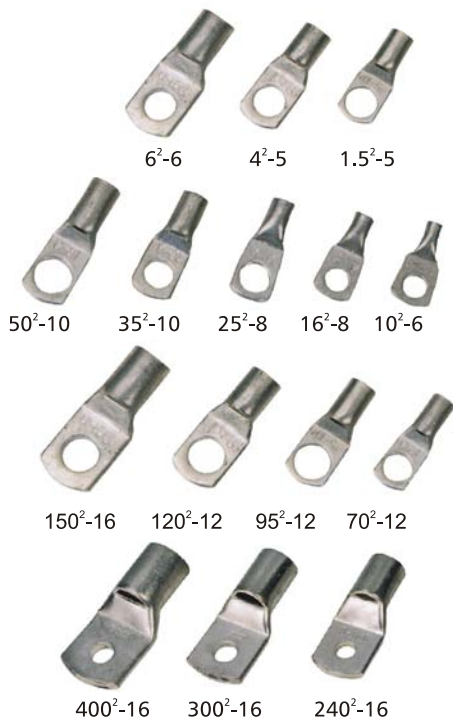


## SC(JGK) Import Copper Terminal

### Application

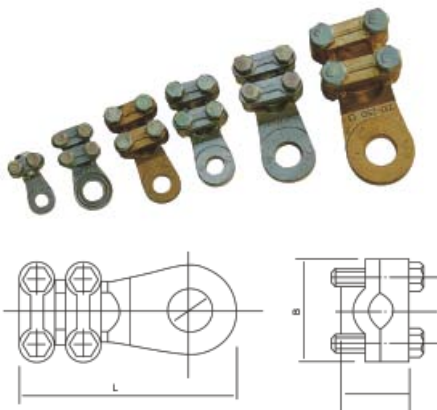
These products are suitable for the connection of copper conductors (section 1.5-1000mm<sup>2</sup>) in power cable with electronic equipment. They are made of with higher 99.9 percent pure copper tube T2 and coated with tin. Working temperature -55°C-150°C.



| Type         | φ                            | D    | d    | L    |
|--------------|------------------------------|------|------|------|
| SC(JGK)-1.5  | φ 4.2, φ 5.2                 | 3.5  | 1.8  | 18   |
| SC(JGK)-2.5  | φ 4.2, φ 5.2, φ 6.2          | 4    | 2.5  | 19   |
| SC(JGK)-4    | φ 5.2, φ 6.2                 | 4.8  | 3.1  | 21   |
| SC(JGK)-6    | φ 5.2, φ 6.2, φ 8.2          | 5.5  | 3.8  | 24   |
| SC(JGK)-10   | φ 6.2, φ 8.2                 | 6.8  | 4.8  | 25.5 |
| SC(JGK)-16   | φ 6.2, φ 8.2, φ 10.5         | 7.5  | 5.5  | 30.5 |
| SC(JGK)-25   | φ 6.2, φ 8.2, φ 10.5         | 9    | 7    | 34   |
| SC(JGK)-35   | φ 6.2, φ 8.2, φ 10.5, φ 12.5 | 10.5 | 8.2  | 38   |
| SC(JGK)-50   | φ 8.2, φ 10.5, φ 12.5        | 12.5 | 9.8  | 45   |
| SC(JGK)-70   | φ 8.2, φ 10.5, φ 12.5        | 14.5 | 11.5 | 50   |
| SC(JGK)-95   | φ 10.5, φ 12.5               | 17.5 | 13.8 | 55.5 |
| SC(JGK)-120  | φ 12.5, φ 16.5               | 19.5 | 15.5 | 63   |
| SC(JGK)-150  | φ 12.5, φ 16.5               | 21   | 16.5 | 71   |
| SC(JGK)-185  | φ 16.5                       | 23.5 | 18.8 | 78   |
| SC(JGK)-240  | φ 16.5                       | 26.5 | 21   | 92   |
| SC(JGK)-300  | φ 16.5, φ 20.5               | 30   | 24   | 102  |
| SC(JGK)-400  | φ 16.5, φ 20.5               | 34   | 26.5 | 113  |
| SC(JGK)-500  | φ 16.5, φ 20.5               | 38   | 30   | 123  |
| SC(JGK)-630  | φ 20.5                       | 45   | 35   | 135  |
| SC(JGK)-800  | φ 22.5                       | 50   | 39   | 170  |
| SC(JGK)-1000 | φ 22.5                       | 56   | 44   | 200  |

## Winter Sweet Type Copper Jointing Clamp

### Specification



| Type   | Conductor (mm <sup>2</sup> ) | Dimensions(mm) |    |    |     |
|--------|------------------------------|----------------|----|----|-----|
|        |                              | L              | A  | B  | d   |
| WCJC-1 | 16                           | 37             | 10 | 21 | 7.5 |
| WCJC-2 | 25~35                        | 48             | 13 | 22 | 11  |
| WCJC-3 | 50~70                        | 60             | 17 | 31 | 11  |
| WCJC-4 | 120~150                      | 70             | 23 | 35 | 15  |
| WCJC-5 | 210~250                      | 90             | 30 | 46 | 17  |
| WCJC-6 | 300~500                      | 125            | 35 | 62 | 19  |